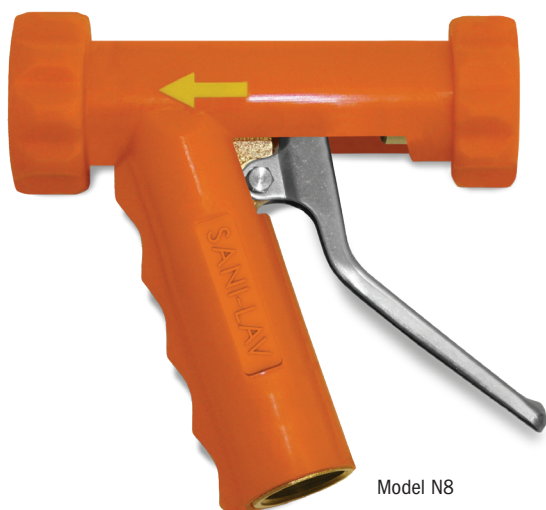


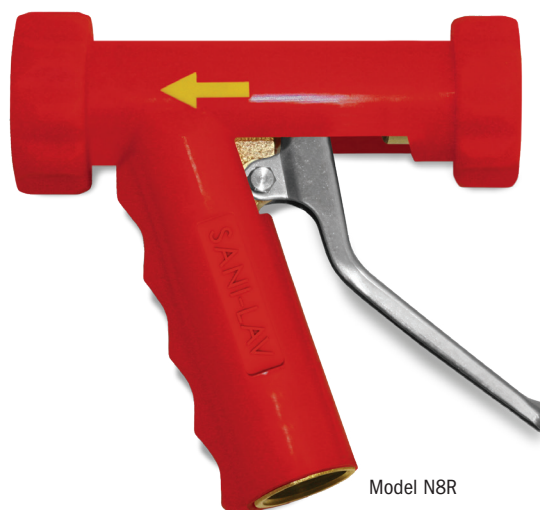
SANI-LAV[®] COLUMBIA PRODUCTS

Large-Sized Industrial Nozzle with Brass Body

Model N8



Model N8



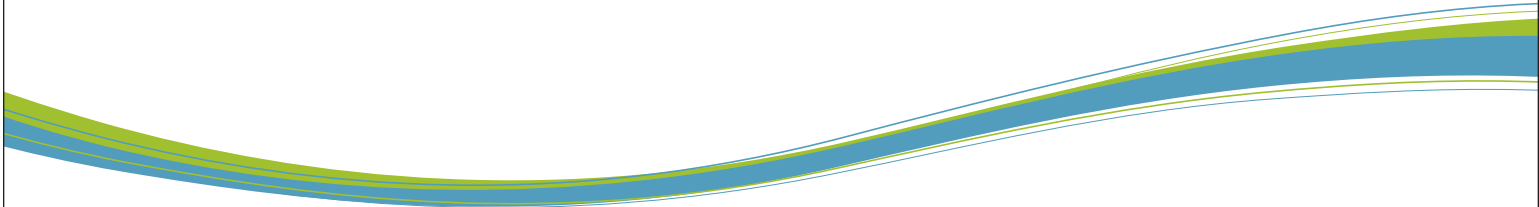
Model N8R



Model N8W



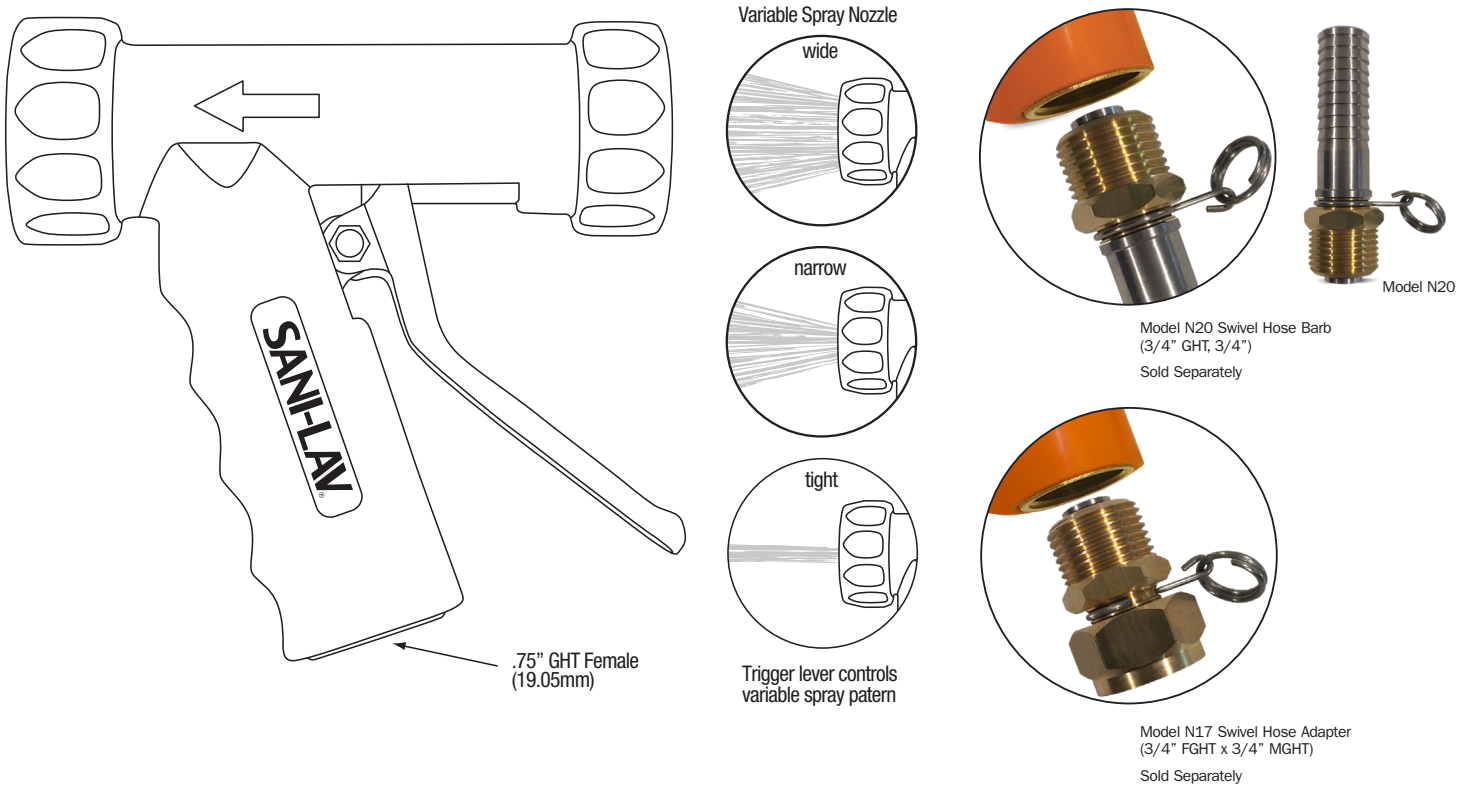
Model N8B



N8 Universal Features

- 3/4" GHT inlet allows direct hose connection
- Maximum working pressure 150 psi
- Maximum operating temperature: 200°F/93°C
- Weight 2.3 lbs.
- Safety shut off trigger when released
- Replaceable insulated safety orange, red, white or black covers

Model	Color	Body	Handle Type	Inlet	Max psi	Max Temp	Weight	GPM @ 100 psi	Swivel Adapter
Brass									
N8	Safety Orange	Brass	Stainless	3/4" FGHT	150	200	2.3	8.9	n/a
N8R	Red	Brass	Stainless	3/4" FGHT	150	200	2.3	8.9	n/a
N8W	White	Brass	Stainless	3/4" FGHT	150	200	2.3	8.9	n/a
N8B	Black	Brass	Stainless	3/4" FGHT	150	200	2.3	8.9	n/a



Water Flow Rate Comparison

PSI	Standard Model N8	Water Saver Model N81	Water Savings % Model N81
100	8.90 gpm	5.25 gpm	41.01%

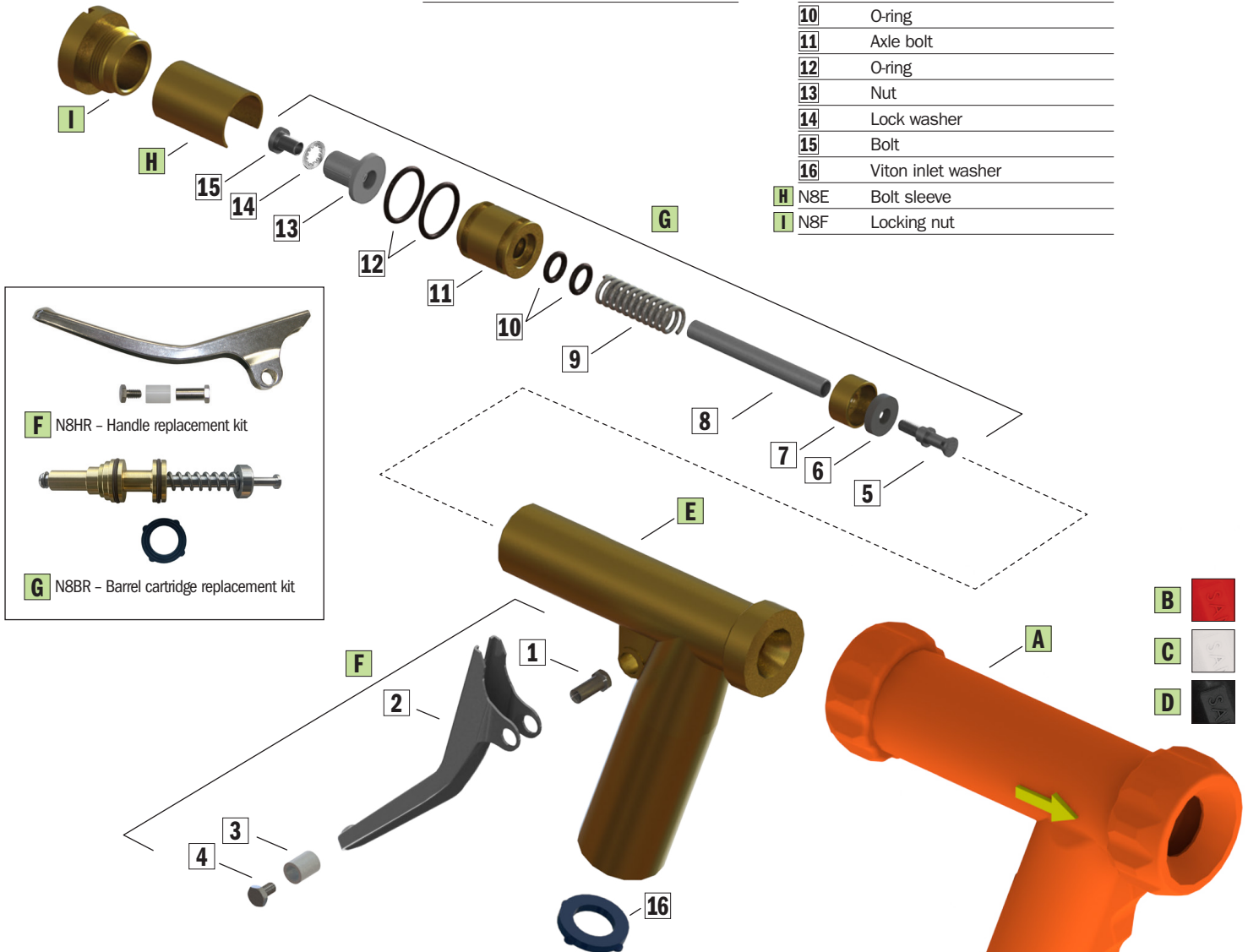
Notice for California Consumers
WARNING: This product can expose you to chemicals including Lead, and Phthalates (DEHP) which are known to the State of California to cause cancer and birth defects or other reproductive harm. For more information go to www.P65Warnings.ca.gov.

N8 Replacement Parts

Part No.	Description
A N8OC	Orange insulated cover
B N8RC	Red insulated cover
C N8WC	White insulated cover
D N8BC	Black insulated cover

E N8MB	Main body
F N8HR	Handle replacement kit
1	Stainless steel nut
2	Stainless steel handle
3	Stainless steel handle arm sleeve
4	Stainless steel handle bolt

G N8BR	Barrel cartridge replacement kit
5	Flow adjustment tip
6	Washer
7	Washer sleeve
8	Axle
9	Stainless steel spring
10	O-ring
11	Axle bolt
12	O-ring
13	Nut
14	Lock washer
15	Bolt
16	Viton inlet washer
H N8E	Bolt sleeve
I N8F	Locking nut



Barrel cartridge replacement kit Instructions

1. Pull cover **A** over the back of nozzle to expose the back end.
2. Take handle off nozzle by removing parts **1**, **3**, and **4**.
3. Unscrew part **I** locking nut and remove bolt sleeve **H** and the cartridge **G**.
4. Insert the new cartridge.
5. Re-Install the handle.
6. Replace the sleeve with the open end facing down.
5. Screw the locking nut back into place.
6. Slip the cover back over the nozzle end using a round ended tool similar to a shoe horn.